

MANUAL CALL POINT W/ SELFVERIFY - BF-502/EX

Interactive fire detection systems Product Datasheet

Technical specifications and instructions

Features

- Break glass unit for use in harsh environmental conditions
- Weather proof
- Corrosion resistant GRP
- Protection degree IP66
- Short circuit isolator in each unit
- Automatic addressing
- Proven technology
- With SelfVerify function for reduced maintenance/testing and increased reliability
- Designed to meet the requirement of the major maritime classification societies

Description / Application

BF-502/EX is a manual call point for use in hazardous area zone 0, 1 or 2. It must be connected to the approved barrier BZ-500. The call point has been designed for use with Autronica's interactive fire detection systems, and comprises the SelfVerify function. This function ensures the highest grade of reliability and the lowest degree of manual testing, because all units comprising this function are automatically self-tested once every 24 hours.

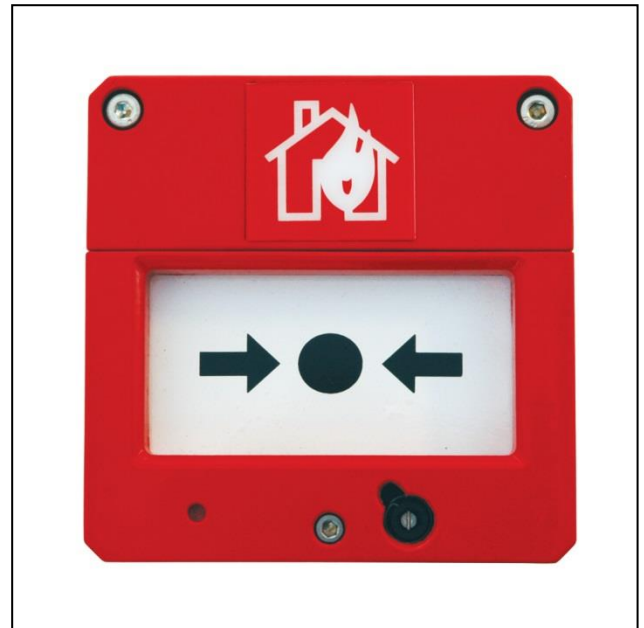
The high IP degree and mechanical strength of the enclosure makes the call point suitable for outdoor applications in industrial, maritime and offshore installations.

The call point must be installed according to local regulations, which normally means along escape routes, landings and exits.

Principle

Break glass operation, releasing alarm switch.
Reset when a new glass is mounted.

SelfVerify: the call point's ability to initiate alarms is regularly checked.




Versions

- BF-502* Manual call point with SelfVerify
- BF-502/EX Manual call point with SelfVerify. Ex ia version for use in zone 0, 1 and 2
- BF-502/N* Manual call point with SelfVerify. Ex ic version for use in zone 2 only

* See separate data sheet

Schedule Drawing

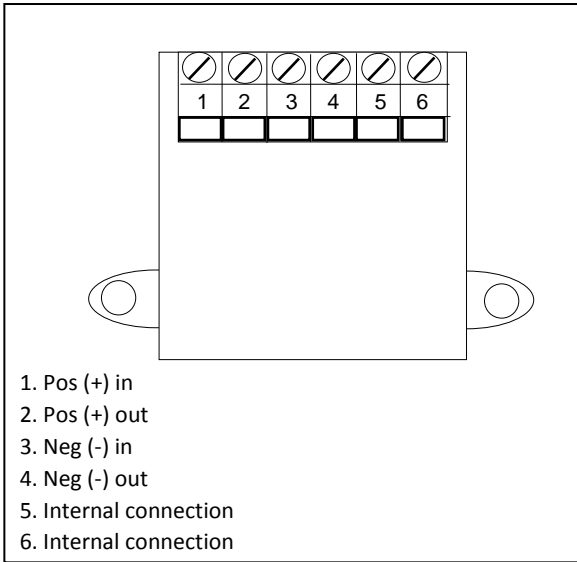
No modifications permitted
without reference to the
Notified Body

Technical specifications	
Weight	0,5 kg
Material	Glass reinforced polyester
Colour	Red
Voltage	10 - 27 VDC
Current consumption stand by:	0,3 mA
Environm. requirement	EN 54
Degree of protection	IP66*
Working temperature	-25 - + 70 °C
Storage temperature	-55 - + 70 °C
Cable inlets	2 x M20
Maintenance	Replace broken glass
Service	Replace if faulty
Certificates	See website
Notified body	Nemko ID No. 0470 CSA
Type examination certificate	NEMKO 03ATEX218X IECEx NEM 11.0009X
Directives and standards	2014/34/EU (ATEX) EN 60079-0:2012 EN 60079-11:2012 IEC 60079-0:2011 IEC 60079-11:2011 2014/30/EU (EMC) Immunity: EN 50130-4:2011 Emission: EN 61000-6-3:2001 CAN/CSA-C22.2 No. 0-10 CAN/CSA-C22.2 No. 205-12 CAN/CSA-60079-0-11 CAN/CSA-60079-1-11 CAN/CSA-60079-11-11 CAN/CSA-C22.2 No. 60529-05 UL 464, 9th Edition UL 60079-0, 5th Edition UL 60079-1, 6th Edition UL 60079-11, 5th Edition ANSI/IEC 60529:2004 ANSI/ISA-60079-26: 2011
Ex parameters	 II 1G Ex ia IIC T5 Ga Class 1, Zone 0, AEx ia IIC T5 Ga Ui = 15,75V Ii = 63,5mA Ci = 21,6nF Li = 0 Pi = 0,44W Warning: Do not rub.

*requires approved cable glands and/or plugs of minimum the same IP level.

Product Name	Part number	Description
BF-502/EX	116-BF-502/EX	Manual call point with 2 glands (type 116-6571-011.1920)
Accessories		
	116-6571-011.1920	GLAND ST M20X1,5 PG13,5 (1 pcs)
	116-4890-021.0001	Lift flap PC
	116-4890-021.0010	Lift flap SS

Connections



Dimensions

